

"Lincwelder" DC-180-BT

Model Index

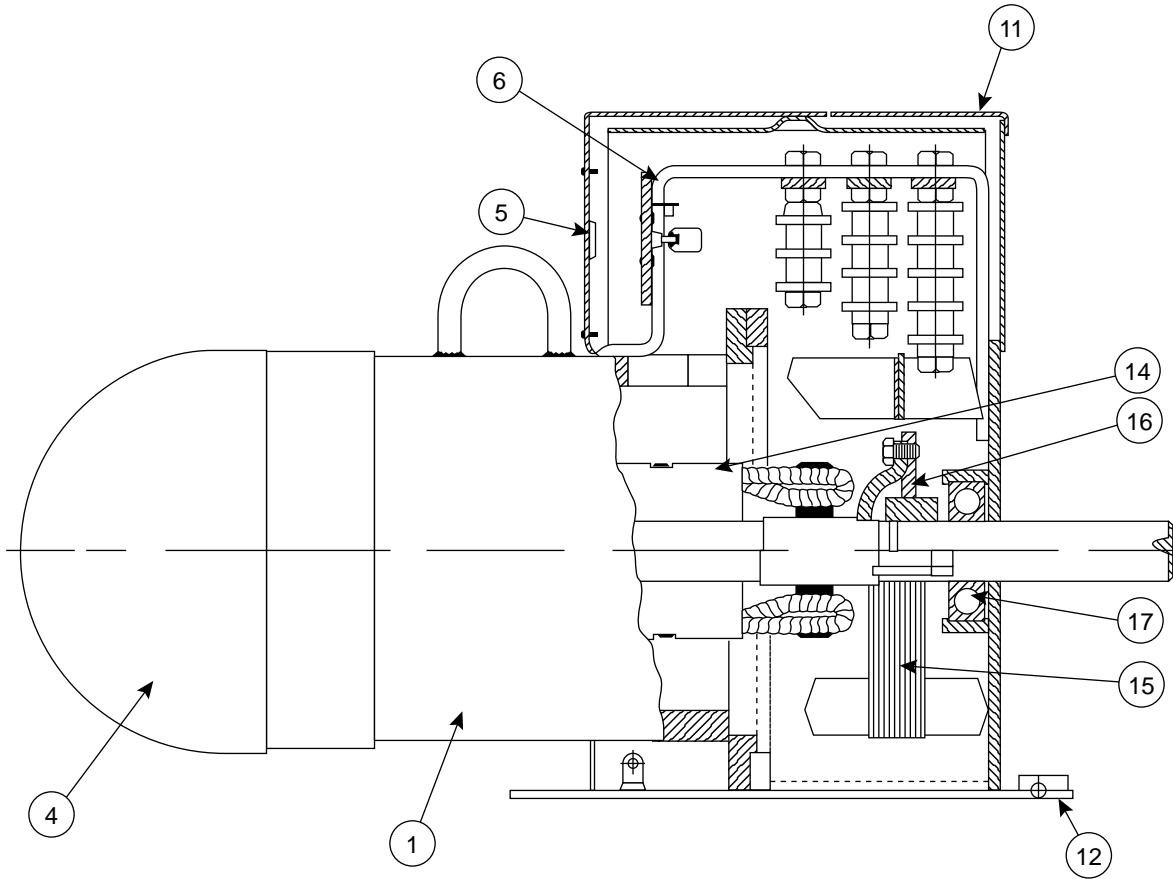
NUMBERS IN THE TABLE BELOW INDICATE WHICH COLUMN TO USE IN EACH PARTS LIST FOR EACH INDIVIDUAL CODE NUMBER

DO NOT attempt to use this Parts List for machine if its code number is not listed. Contact the Service Department for any code numbers not listed. (Only those suffixes which require distinction from the basic codes are shown.)

PARTS LIST TITLES	WELDER	BRUSH HOLDER	BRUSH HOLDER							
PARTS LIST NO.	P-45-C	P-37-G	P-25-N							
CODE NO.										
1981	1	1	•							
2060	1	1	•							
2180	1	1	•							
2232	1	1	•							
2320 (MW)	2	1	•							
2321	2	1	•							
3144 (MW)	3	•	1							
3145	3	•	1							
4207 (CCW)	3	•	•							

NOTES

WELDER



Index of Sub Assemblies

Part Numbers

Index of Sub Assemblies

Part Numbers

Index of Sub Assemblies

Part Numbers

Index of Sub Assemblies

Part Numbers

Index of Sub Assemblies
 Sub Assembly Illustration
 Index of Sub Assemblies
 Sub Assembly Illustration
 Index of Sub Assemblies
 Sub Assembly Illustration
 Index of Sub Assemblies
 Sub Assembly Illustration
 Index of Sub Assemblies
 Sub Assembly Illustration

Use only the parts marked "X" in the column under the heading number called for in the model index page.

Indicates a Change This Printing

ITEM	DESCRIPTION	PART NO.	QTY.	1	2	3	4	5	6	7	8	9
1	Generator Frame	M6796-1	1	X	X	X						
2	Main Coil and Pole Piece Assembly, Includes: Note 1	L2565-B	1	X	•	•						
2	Main Coil and Pole Piece Assembly, Includes: Note 1	L2565-C	1		•	X	X					
	Coil	L2565-2	1	X	•	•						
	Coil	L2565-3	1		•	X	X					
	Pole Piece	M8773-4	1	X	X	X						
3	Main Coil and Pole Piece Assembly, Includes: Note 1	L2566-B	1	X	•	•						
3	Main Coil and Pole Piece Assembly, Includes: Note 1	L2566-C	1		•	X	X					
	Coil	L2566-2	1	X	•	•						
	Coil	L2566-3	1		•	X	X					
	Pole Piece	M8773-4 Ø	1	X	X	X						
4	Generator End Cover	M7087 Ø	1	X	X	X						
	Bearing, Commutator End	M9300-7	1	X	X	X						
	Bearing Cage	M7500 Ø	1	X	X	X						
	Rocker Clamping Ring	T9720	1	X	X	X						
	Spacer, Code 1981 Only	T9481	1	X	•	•						
	Brushholder	S9561-A Ø	2	X	X	•						
	S6710-A Brushholder Parts	See P-37-G										
	Brushholder	S9561-A	2		•	•	X					
	S9561-A Brushholder Parts	See P-25-N										
	Brushholder (CCW Rotation Only)	S11497-A	2		•	•	X					
	Brushes	T6968	8	X	X	X						
5	Nameplate	M7450	1	X	•	•						
5	Nameplate (MW Only)	M7786	1		•	X	X					
5	Nameplate	M7785	1		•	X	X					
6	Grid Assembly	L2921 Ø	1	X	X	X						
11	Case Assembly	M7773	1	X	•	•						
11	Case Assembly	L2811-1	1		•	X	X					
12	Base Assembly and Bracket	M7508 Ø	1	X	X	X						
	Belt Tightener, Includes:	S8594	1	X	X	X						
	Arm	S8594-2	1	X	X	X						
	Adjusting Screw	S8594-2	1	X	X	X						
14	Armature	M6652-2	1	X	•	•						
14	Armature, Includes:	M7740	1		•	X	X					
	Armature Coil Spec	See P-45-B	1	X	X	X						
15	Flywheel	L2918	1		•	X	X					
	Commutator	T8119	1	X	X	X						
16	Coupling Assembly	M7492	1	X	•	•						
17	Bearing	T10776	1	X	X	X						
	Note 1: Use one item 2 and one item 3. Coils are marked so they can be distinguished.											

Ø This part is obsolete and no longer available.

NOTES
