

# PULSE POWER 500

## Model Index

NUMBERS IN THE TABLE BELOW INDICATE WHICH COLUMN TO USE IN EACH PARTS LIST FOR EACH INDIVIDUAL CODE NUMBER

**DO NOT** attempt to use this Parts List for machine if its code number is not listed. Contact the Service Department for any code numbers not listed. (Only those suffixes which require distinction from the basic codes are shown.)

PARTS LIST TITLES	General Assembly	Main Transformer Asbly	Case Front Assembly	Control Box Cover Asbly	Power Resistors & Mtgs	Multi-Process Switch (Optional)					
	P-171-C	P-171-D	P-171-E	P-171-F	P-171-G	P-126-F					
PARTS LIST NO. →											
CODE NO. ↓											
9092	1	1	1	1	1	1					
9092FM	1	1	2	1	1	1					
9174	1	1	2	1	1	1					
9180	1	1	2	1	1	1					
9315	1	1	2	1	1	1					
9318	1	1	2	1	1	1					
9319	1	1	2	1	1	1					
9320	1	1	2	1	1	1					
9321	1	1	2	1	1	1					
9322	1	1	2	1	1	1					
9382	1	1	2	1	1	1					
9503	1	1	2	1	1	1					
9505	1	1	2	1	1	1					
9618	1	1	2	1	1	1					
9619	1	1	2	1	1	1					
9894	1	1	2	1	1	1					
9895	1	1	2	1	1	1					
9896	1	1	2	1	1	1					
9897	1	1	2	1	1	1					
9898	1	1	2	1	1	1					
9899	1	1	2	1	1	1					
9900	1	1	2	1	1	1					
9901	1	1	2	1	1	1					
10075	1	1	2	1	1	1					
10076	1	1	2	1	1	1					
10077	1	1	2	1	1	1					
10078	1	1	2	1	1	1					
10079	1	1	2	1	1	1					
10080	1	1	2	1	1	1					
10081	1	1	2	1	1	1					
10082	1	1	2	1	1	1					

Wound Assemblies and Diagrams ..... P-171-B

# WINDING SPECIFICATIONS AND DIAGRAMS

Only those suffixes requiring distinction from the basic codes are shown

CODE NO.	SERIES COIL	PRIMARY TRANSFORMER COILS			SECONDARY COILS (3)	TRANSFORMER ASSEMBLY	115V CONTROL TRANSFORMER	
		LEFT	CENTER	RIGHT				
9092	230/460/3/60	M14993-1	M14993-2	M14993-3	M15007 ∅	G1700-1	M12390-31	#
9092FM	230/460/3/60	M14993-1	M14993-2	M14993-3	M15007 ∅	G1700-1	M12390-31	#
9174	230/460/3/60	M14993-1	M14993-2	M14993-3	M15007 ∅	G1700-1	M12390-31	#
9180	575/3/60	M14993-4	M14993-5	M14993-6	M15007 ∅	G1700-2	M12390-51	#
9315	220/380/440/3/50	M14993-7	M14993-8	M14993-9	M15007 ∅	G1700-3	M13471-2	#
9318	208/3/60	M14993-1	M14993-2	M14993-3	M15007 ∅	G1700-1	M12390-33	#
9319	220/440/3/50	M14993-1	M14993-2	M14993-3	M15007 ∅	G1700-1	M12390-31	#
9320	415/3/50	M14993-4	M14993-5	M14993-6	M15007 ∅	G1700-2	M12390-33	#
9321	230/460/3/60	M14993-1	M14993-2	M14993-3	M15007 ∅	G1700-1	M12390-31	#
9322	575/3/60	M14993-4	M14993-5	M14993-6	M15007 ∅	G1700-2	M12390-51	#
9382	380/500/3/50	M14993-10	M14993-11	M14993-12	M15007 ∅	G1700-4	M12390-34	#
9503	380/3/50	M14993-7	M14993-8	M14993-9	M15007 ∅	G1700-3	M13471-2	#
9505	380/3/60	M14993-7	M14993-8	M14993-9	M15007 ∅	G1700-3	M13471-2	#
9618	220/380/440/3/50	M14993-7	M14993-8	M14993-9	M15007 ∅	G1700-3	M13471-2	#
9619	415/3/50	M14993-4	M14993-5	M14993-6	M15007 ∅	G1700-2	M12390-33	#
9894	230/460/3/60	M14993-1	M14993-2	M14993-3	M15007 ∅	G1700-1	M12390-31	#
9895	575/3/60	M14993-4	M14993-5	M14993-6	M15007 ∅	G1700-2	M12390-51	#
9896	208/3/60	M14993-1	M14993-2	M14993-3	M15007 ∅	G1700-1	M12390-33	#
9897	220/380/440/3/50	M14993-7	M14993-8	M14993-9	M15007 ∅	G1700-3	M13471-2	#
9898	220/380/440/3/50	M14993-7	M14993-8	M14993-9	M15007 ∅	G1700-3	M13471-2	#
9899	380/500/3/50	M14993-10	M14993-11	M14993-12	M15007 ∅	G1700-4	M12390-34	#
9900	415/3/50	M14993-4	M14993-5	M14993-6	M15007 ∅	G1700-2	M12390-33	#
9901	415/3/50	M14993-4	M14993-5	M14993-6	M15007 ∅	G1700-2	M12390-33	#
10075	230/460/3/60	M14993-1	M14993-2	M14993-3	M15007 ∅	G1700-1	M12390-31	#
10076	575/3/60	M14993-4	M14993-5	M14993-6	M15007 ∅	G1700-2	M12390-51	#
10077	208/3/60	M14993-1	M14993-2	M14993-3	M15007 ∅	G1700-1	M12390-33	#
10078	220/380/440/3/50	M14993-7	M14993-8	M14993-9	M15007 ∅	G1700-3	M13471-2	#
10079	220/380/440/3/50	M14993-7	M14993-8	M14993-9	M15007 ∅	G1700-3	M13471-2	#
10080	380/500/3/50	M14993-10	M14993-11	M14993-12	M15007 ∅	G1700-4	M12390-34	#
10081	415/3/50	M14993-4	M14993-5	M14993-6	M15007 ∅	G1700-2	M12390-33	#
10082	415/3/50	M14993-4	M14993-5	M14993-6	M15007 ∅	G1700-2	M12390-33	#

∅ This part is obsolete and no longer available.

Index of Sub Assemblies

# WINDING SPECIFICATIONS AND DIAGRAMS

Only those suffixes requiring distinction from the basic codes are shown

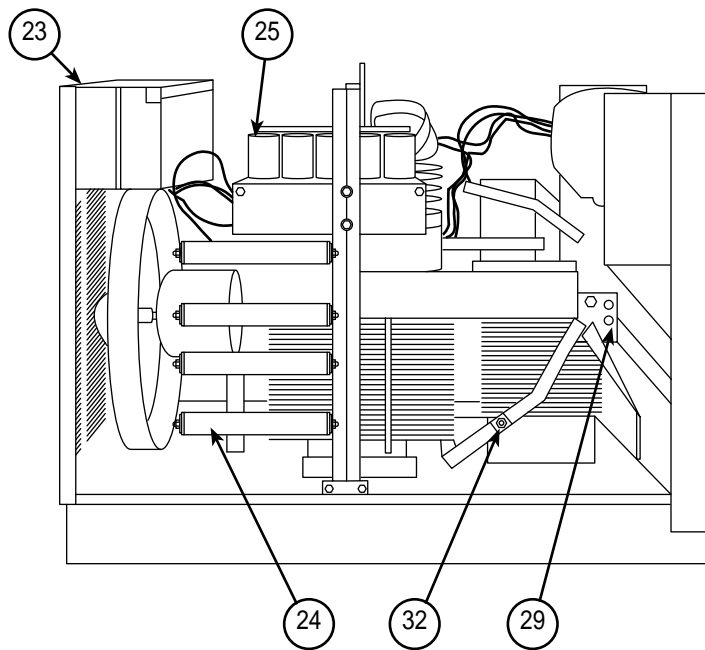
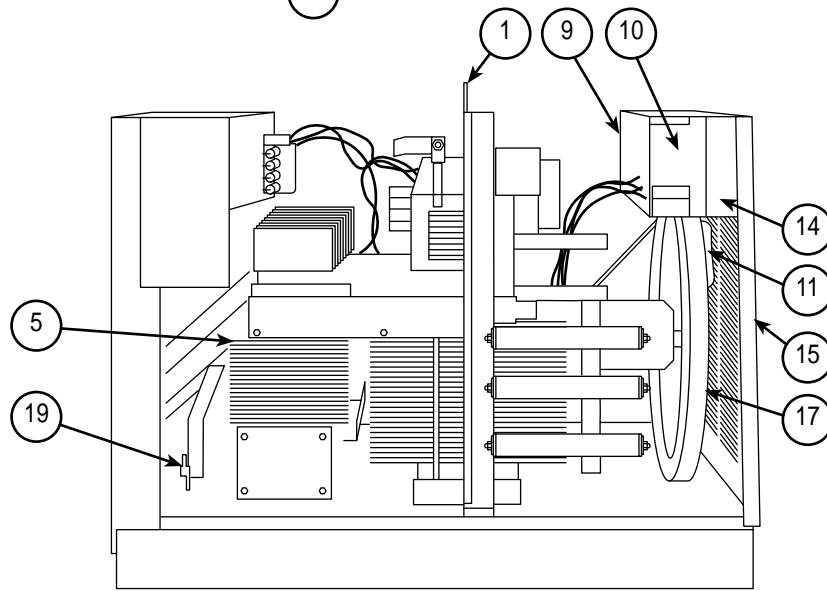
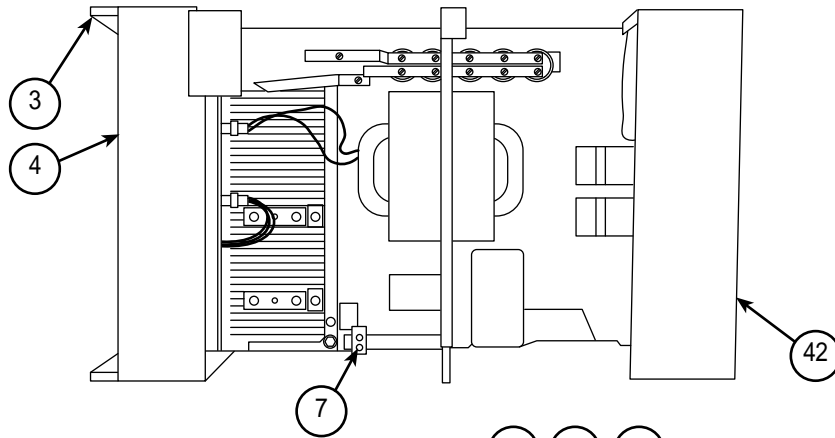
CODE NO.	PULSE CHOKE	BACKGROUND CHOKE	PULSE & BACKGROUND CHOKE ASSEMBLY	PINCH CHOKE ASSEMBLY	RECONNECT PANEL	INPUT CONNECTION DIAGRAM	WIRING DIAGRAM
9092	M14999	M15037	S17971	L7234	L7219-2	M15009	L7207
9092FM	M14999	M15037	S17971	L7234	L7219-2	M15009	L7207
9174	M14999	M15037	S17971	L7234	L7219-2	M15009	L7207
9180	M14999	M15037	S17971	L7234	L7219-4	S17894	L7207
9315	M14999	M15037	S17971	L7234	L7219-1	M15010	L7622
9318	M14999	M15037	S17971	L7234	L7219-2	S17894	L7622
9319	M14999	M15037	S17971	L7234	L7219-2	M15009	L7622
9320	M14999	M15037	S17971	L7234	L7219-2	S17894	L7622
9321	M14999	M15037	S17971	L7234	L7219-2	M15009	L7622
9322	M14999	M15037	S17971	L7234	L7219-2	S17894	L7622
9382	M14999	M15037	S17971	L7234	L7219-3	M15011	L7622
9503	M14999	M15037	S17971	L7234	L7219-2	M15010	L7622
9505	M14999	M15037	S17971	L7234	L7219-1	S17894	L7622
9618	M14999	M15037	S17971	L7234	L7219-1	M15010	L7622
9619	M14999	M15037	S17971	L7234	L7219-4	S17894	L7622
9894	M14999	M15037	S17971	L7234	L7219-2	M15009	L7622
9895	M14999	M15037	S17971	L7234	L7219-4	S17894	L7622
9896	M14999	M15037	S17971	L7234	L7219-2	S17894	L7622
9897	M14999	M15037	S17971	L7234	L7219-1	M15010	L7622
9898	M14999	M15037	S17971	L7234	L7219-1	M15010	L7622
9899	M14999	M15037	S17971	L7234	L7219-3	M15011	L7622
9900	M14999	M15037	S17971	L7234	L7219-4	S17894	L7622
9901	M14999	M15037	S17971	L7234	L7219-4	S17894	L7622
10075	M14999	M15037	S17971	L7234	L7219-2	M15009	L7622
10076	M14999	M15037	S17971	L7234	L7219-4	S17894	L7622
10077	M14999	M15037	S17971	L7234	L7219-2	S17894	L7622
10078	M14999	M15037	S17971	L7234	L7219-1	M15010	L7622
10079	M14999	M15037	S17971	L7234	L7219-1	M15010	L7622
10080	M14999	M15037	S17971	L7234	L7219-3	M15011	L7622
10081	M14999	M15037	S17971	L7234	L7219-4	S17894	L7622
10082	M14999	M15037	S17971	L7234	L7219-2	S17894	L7622

#

# Indicates a Change This Printing

Index of Sub Assemblies

# GENERAL ASSEMBLY



Index of Sub Assemblies  
Index of Sub Assemblies  
Index of Sub Assemblies  
Index of Sub Assemblies

Part Numbers  
Part Numbers  
Part Numbers  
Part Numbers

Use only the parts marked "X" in the column under the heading number called for in the model index page.

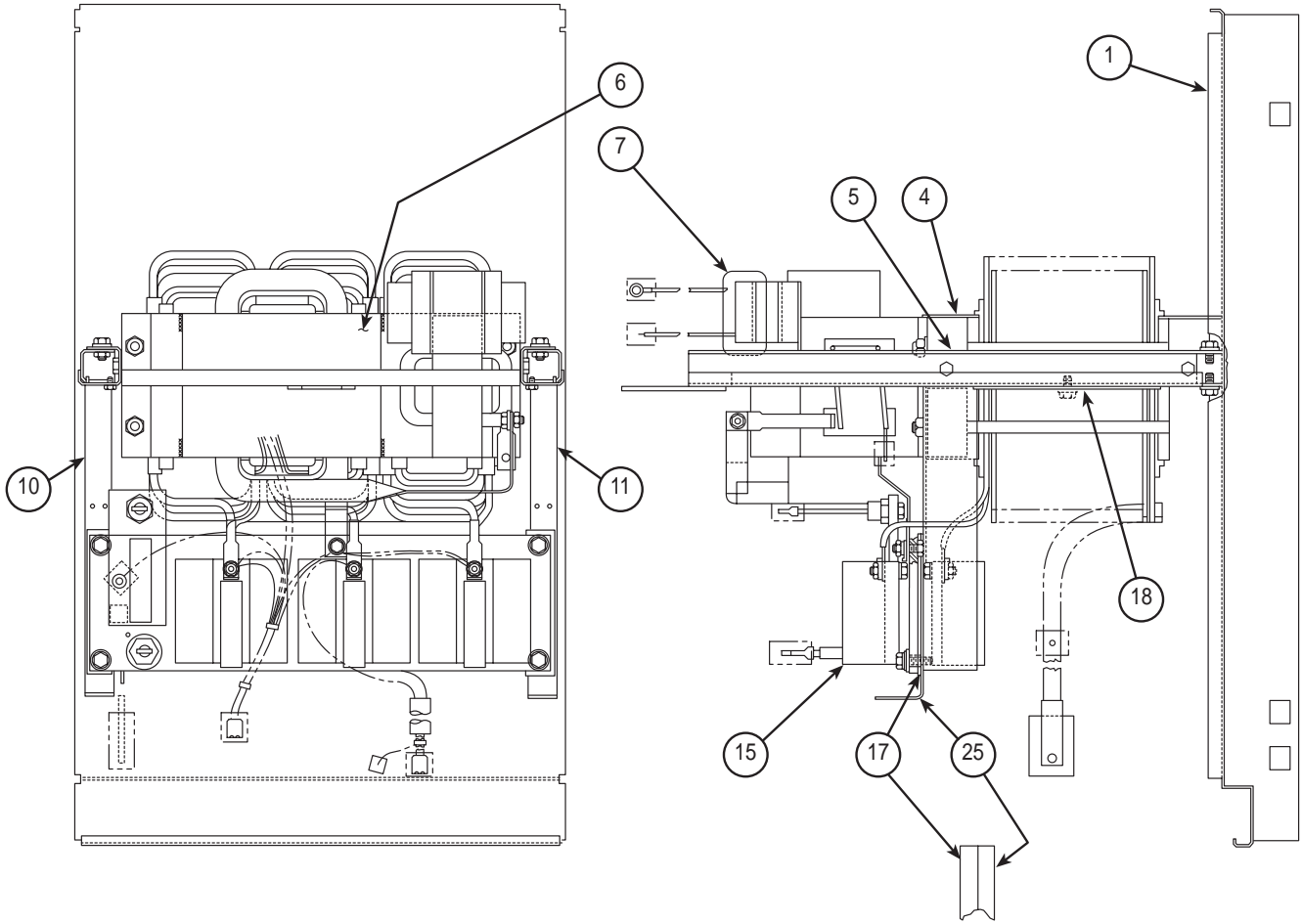
# Indicates a Change This Printing

ITEM	DESCRIPTION	PART NO.	QTY.	1	2	3	4	5	6	7	8	9
1	Main Transformer Assembly	See P-171-D	1	X								
3	Case Front Assembly	See P-171-E	1	X								
4	Control Box Cover Assembly	See P-171-F	1	X								
5	Diode Heat Sink Assembly (Option -D), Includes: Power Rectifier	M15043	1	X								
	Snubber Assembly	S16720-1	1	X								
		T15039										
7	Positive output Lead Retainer	T15036										
9	Reconnect Panel Assembly, Includes: Reconnect Panel Link - Two Holes	See P-171-B										
	Reconnect Panel Link - Three Holes	T14190-1	As Req'd	X								
		T14190-2	As Req'd	X								
10	115V Control Transformer	See P-171-B	1	X								
11	Bushing	T12380-2	1	X								
14	Input Box	S179787	1	X								
	Ground Decal	T13260-4	1	X								
15	Rear Panel	S16816-3 Ø	1	X								
16	Fan Blade (Below Code 10000)	M6819-7	1	X								
17	Fan Baffle (Below Code 10000)	L6247 Ø	1	X								
18	Fan Motor (Below Code 10000)	M9983-6	1	X								
19	Suppressor Printed Circuit Board)	M15150-1	1	X								
22	Contactor	M12161-61	1	X								
23	Access Door	M13998-2	1	X								
24	Power Resistors & Mountings	See P-171-G	1	X								
25	Capacitor Bank Assembly, includes: Mounting Bracket	M15008	1	X								
	Mounting Strap	S17892	1	X								
	Insulation	S17888	1	X								
	Capacitor	S17891	1	X								
		S13490-89	5	X								
29	Shunt	S17078-5	1	X								
32	Thermostat	T13359-7	1	X								
42	Warning Decal	T13259	1	X								
58	Fan Baffle Assembly, (Above Code 10000), Includes: Fan Motor	M16526	1	X								
	Fan	M9983-6	1	X								
	Fan Motor Mounting Bracket	M6819-7	1	X								
	Fan Bracket Brace (Left)	M16525	2	X								
	Fan Bracket Brace (Right)	L9009-1	1	X								
		L9009-2	1	X								
	<b>Items Not Illustrated:</b> Multi-Process Switch (Option -SP)	K804	1	X								
	Multi-Process Switch Parts	See P-126-F										
	Switch Mounting Bracket	S16648	1	X								
	Switch Mounting Clip	T14825	2	X								
	Roof Cover Seal	S12934	1	X								
	Roof	M 12352-17	1	X								
	Case Side	M14065-8	2	X								
	Thermostatic Fan (Option -TF), Includes: Solid State Relay (Located in Control Box)	S15317-1	1	X								
	MOV Assembly (Located in Control Box)	T15120	1	X								
	Thermostat (Located in Control Box)	T14542-3	1	X								
	Lincoln/Norweld Decal	T11600-40	As Req'd	X								
	Decal	T13086-92	1	X								

#  
#

Ø This part is obsolete and no longer available.

# MAIN TRANSFORMER ASSEMBLY



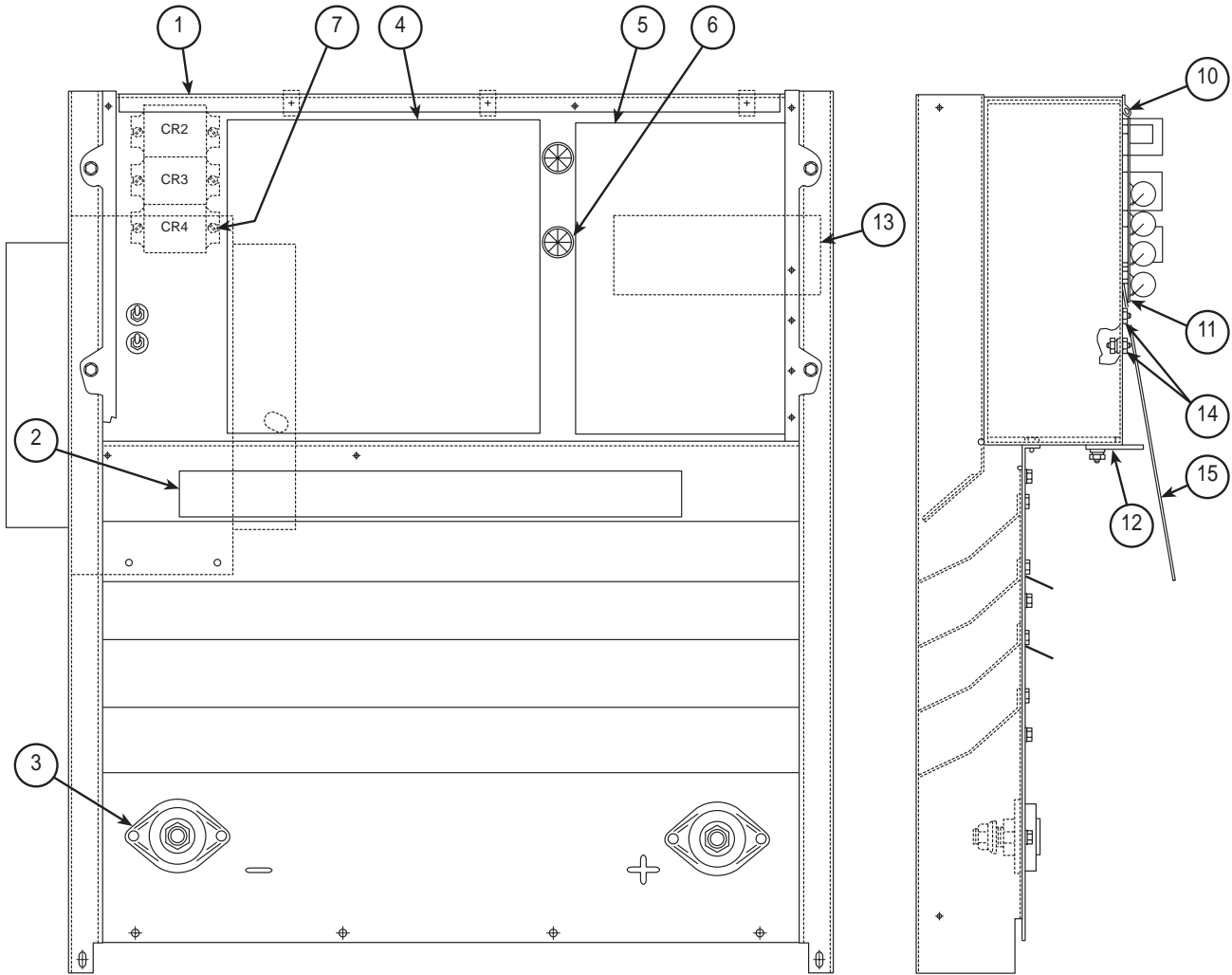
G1712-A  
3-23-94

Index of Sub Assemblies  
Index of Sub Assemblies  
Index of Sub Assemblies  
Index of Sub Assemblies

Part Numbers  
Part Numbers  
Part Numbers  
Part Numbers



# CASE FRONT ASSEMBLY



L7477  
8-25-93

Index of Sub Assemblies

Part Numbers

Part Numbers

Part Numbers

Part Numbers

Use only the parts marked "X" in the column under the heading number called for in the model index page.

# Indicates a Change This Printing

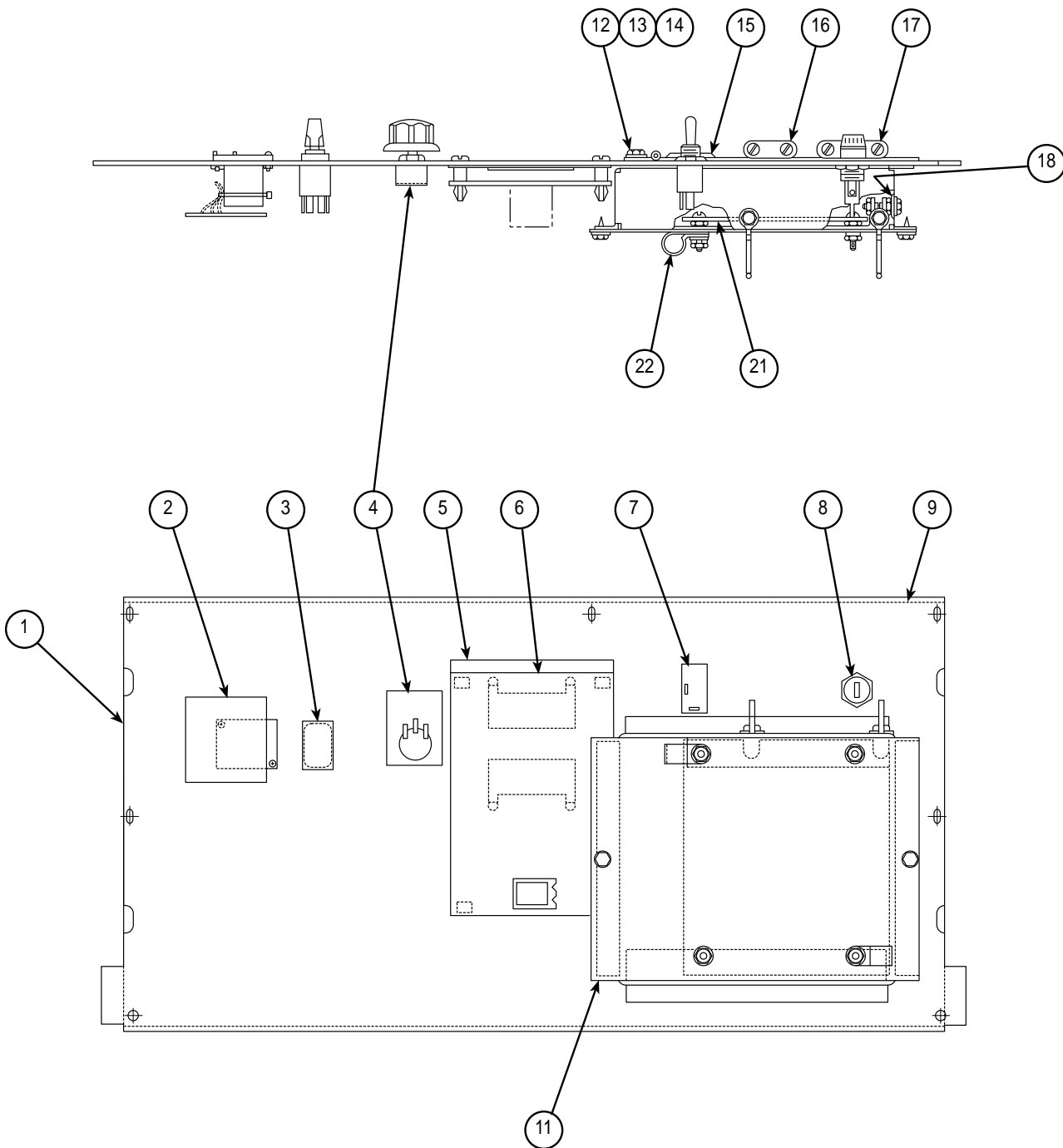
ITEM	DESCRIPTION	PART NO.	QTY.	1	2	3	4	5	6	7	8	9
1	Case Front Supports, Louvers and Control Box	L7217	1	X	X							
2	Warning Plate	M15734	1	X	X							
3	Output Terminal	S16656-3	2	X	X							
	Thread Cutting Screw	S9225-36	4	X	X							
	Output Stud Nut	T3960	2	X	X							
4	Control Printed Circuit Board	G1786-1	1	X	X							
	Plastic Expansion Nut	S14020-3	9	X	X							
	Self Tapping Screw	S8025-71	9	X	X							
5	Power Printed Circuit Board	G1705-2	1	X	•							
5	Power Printed Circuit Board	G1787-2	1	•	X							
	Plastic Expansion Nut	S14020-3	7	X	X							
	Self Tapping Screw	S8025-71	7	X	X							
6	Bushing	T14614-1	2	X	X							
7	Relay (CR2 & CR3)	S13929-7	2	X	X							
	Relay (CR4)	S14293-12	1	X	X							
	Identification Sticker (CR2)	T14798-2	1	X	X							
	Identification Sticker (CR3)	T14798-3	1	X	X							
	Identification Sticker (CR4)	T14798-4	1	X	X							
10	Cable Hanger	T13496-1	1	X	X							
11	Bridge Snubber Board	L7204-1	1	X	X							
	Plastic Expansion Nut	S14020-3	4	X	X							
	Self Tapping Screw	S8025-71	4	X	X							
12	Lead Insulating Panel	S14585-3 Ø	1	X	X							
13	Caution Decal	S13504	1	X	X							
14	Feed Thru Capacitor	S18010-1	2	X	X							
15	Insulation Box	M15275 Ø	1	X	X							

#

Ø This part is obsolete and no longer available.

Index of Sub Assemblies  
 Sub Assembly Illustration  
 Index of Sub Assemblies  
 Sub Assembly Illustration  
 Index of Sub Assemblies  
 Sub Assembly Illustration  
 Index of Sub Assemblies  
 Sub Assembly Illustration

# CONTROL BOX COVER ASSEMBLY



L7239  
6-16-89C

Index of Sub Assemblies  
Index of Sub Assemblies  
Index of Sub Assemblies  
Index of Sub Assemblies

Part Numbers  
Part Numbers  
Part Numbers  
Part Numbers

Index of Sub Assemblies  
 Sub Assembly Illustration  
 Index of Sub Assemblies  
 Sub Assembly Illustration  
 Index of Sub Assemblies  
 Sub Assembly Illustration  
 Index of Sub Assemblies  
 Sub Assembly Illustration

Use only the parts marked "X" in the column under the heading number called for in the model index page.

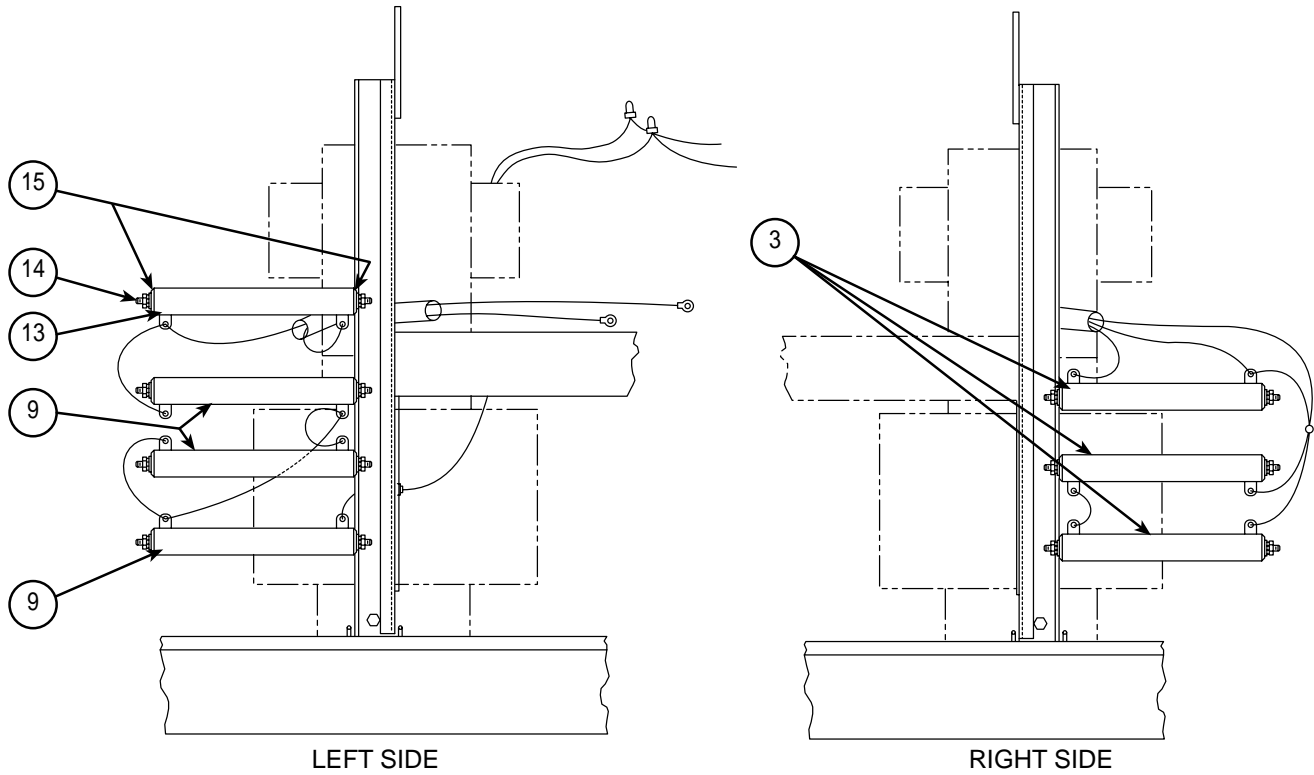
# Indicates a Change This Printing

ITEM	DESCRIPTION	PART NO.	QTY.	1	2	3	4	5	6	7	8	9
1	Control Panel Welded Assembly	S17954 $\emptyset$	1	X								
2	Mode Selector Switch Printed Circuit Board Assembly	M15030-1	1	X								
3	Toggle Switch	T10800-24	1	X								
4	Potentiometer	S17918-1	1	X								
	Knob	T10491	1	X								
	Insulation	T12792-1	1	X								
5	Filter Lens Holder Assembly	S17958	1	X								
6	Display Printed Circuit Board Assembly	L7221-1	1	X								
7	Power Switch (S1)	T10800-4	1	X								
8	Fuse Holder	S10433-1	1	X								
	Fuse (F1)	T10728-16	1	X								
9	Nameplate (60 Hz)	L7236	1	X								
9	Nameplate (50 Hz)	L7235	1	X								
11	Terminal Printed Circuit Board Assembly (Below Code 9300)	S18506 $\emptyset$	1	X								
11	Terminal Printed Circuit Board Assembly (Above Code 9300)	G1855-2	1	X								
12	Access Door Assembly	S18055	1	X								
13	Warning Decal	T13086-41	1	X								
14	Wire Feeder Decal	S18054	1	X								
15	Plug Button	T13597-3	1	X								
16	Box Connector	T9639-2	1	X								
17	Box Connector	T9639-1	1	X								
18	Ground Decal	T13260-3	1	X								
21	Number Plate (Below Code 9300)	M15014	1	X								
21	Number Plate (Above Code 9300)	M15494	1	X								
22	Lead Clamp	T12563-9	2	X								

#

$\emptyset$  This part is obsolete and no longer available.

# POWER RESISTORS AND MOUNTINGS



L7303  
6-10-86

# Indicates a Change This Printing												
Use only the parts marked "X" in the column under the heading number called for in the model index page.												
ITEM	DESCRIPTION	PART NO.	QTY.	1	2	3	4	5	6	7	8	9
3	Resistor (R6, R7 & R8)	S10404-7	3	X								
9	Resistor (R1, R2 & R3)	S10404-85	3	X								
13	Resistor (R4)	S10404-87	1	X								
14	Mounting Stud	T9781-34	7	X								
	Plain Washer	S9262-98	7	X								
	Lock Washer	E106A-2	7	X								
	Hex Nut	1/4-20	14	X								
15	Mounting Washer	T9764-6	14	X								

Index of Sub Assemblies

Part Numbers

Part Numbers

Part Numbers

Part Numbers