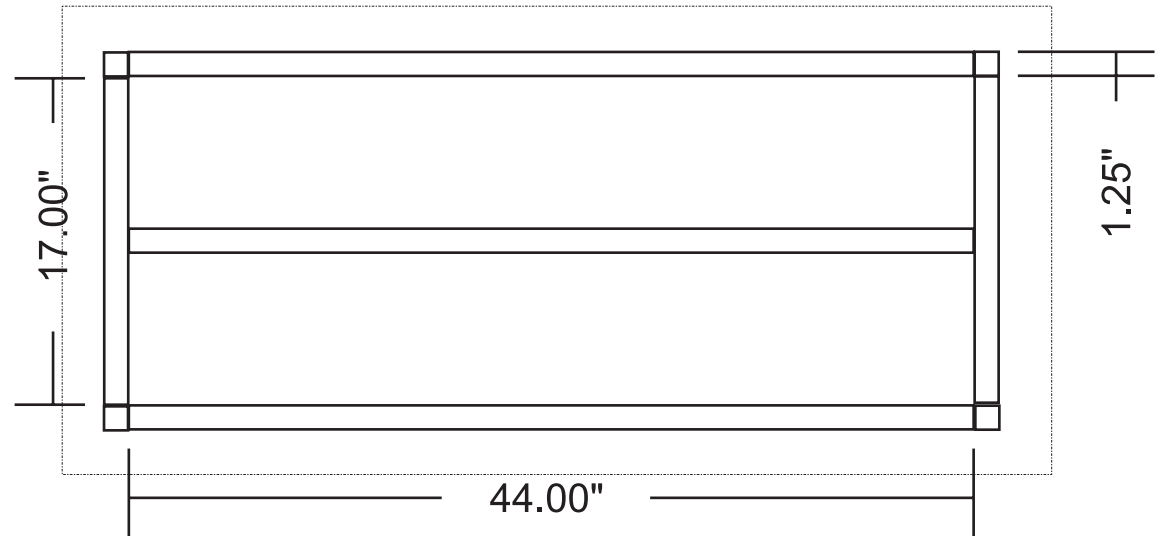
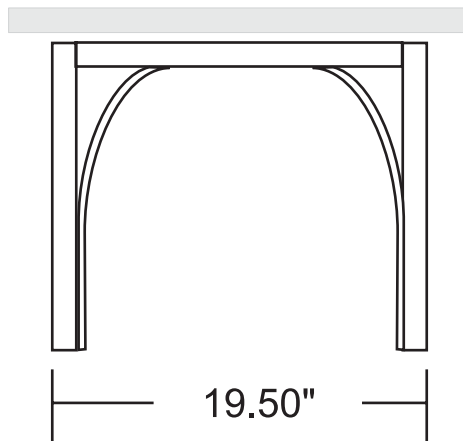
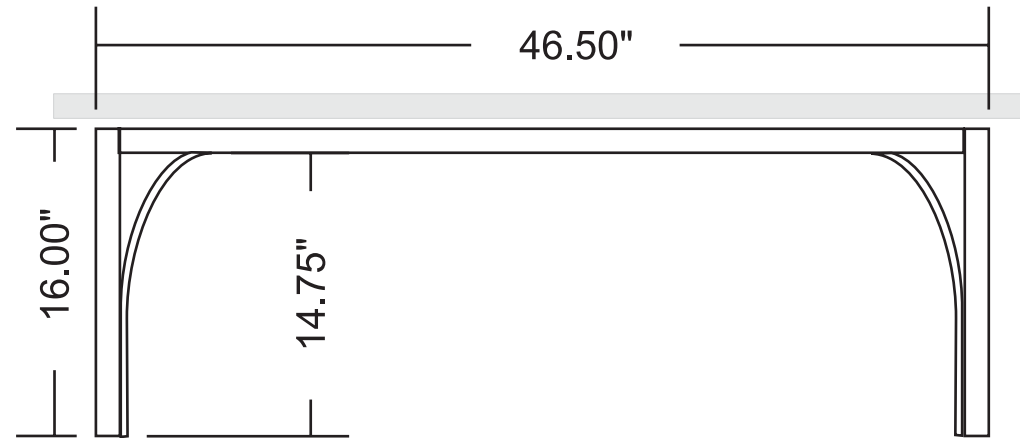
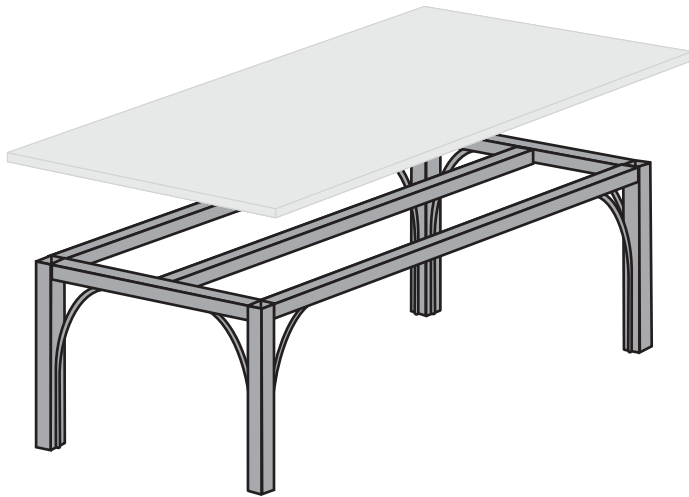


# Plans: Coffee Table Base

These plans are for the TABLE BASE ONLY,  
 Top could be Glass, Ceramic Tile, Wood or Granite. Artists Choice!



## Cutting Diagram for 1.25" x 1/8" Square Tubing

5 ft.		16" Leg	17" End	17" End	
8 ft.		16" Leg	16" Leg	16" Leg	44" Cross Piece
8 ft.		44" Cross Piece			44" Cross Piece