

CV-400/CV500-I

(Below Code 9800)

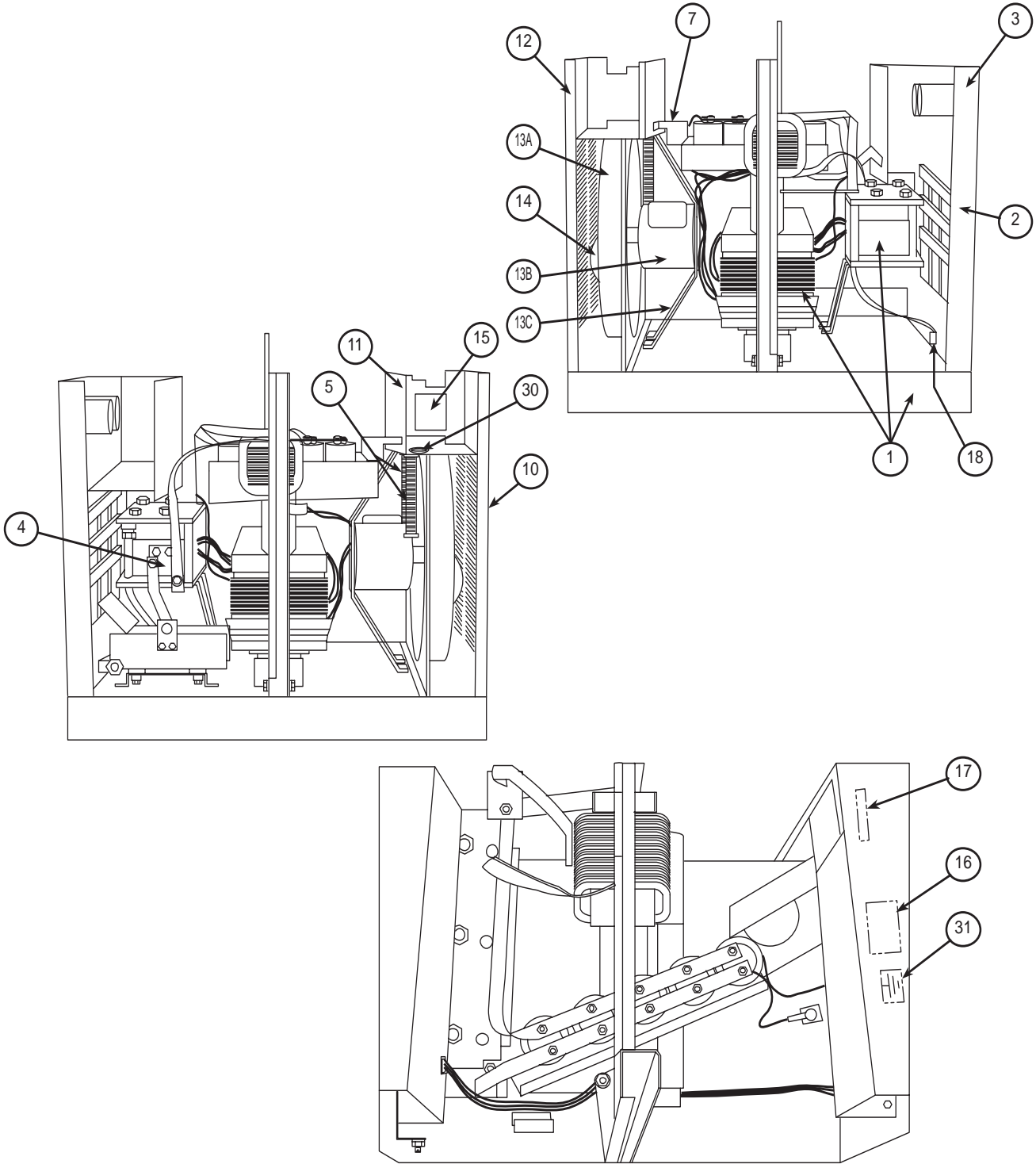
NUMBERS IN THE TABLE BELOW INDICATE WHICH COLUMN TO USE IN EACH PARTS LIST FOR EACH INDIVIDUAL CODE NUMBER

DO NOT attempt to use this Parts List for machine if its code number is not listed. Contact the Service Department for any code numbers not listed. (Only those suffixes which require distinction from the basic codes are shown.)

PARTS LIST TITLES	General Assembly	Base, Lamination & Bridge Assembly	Case Front Assembly	Control Box Cover Asbly							
	P-182-C	P-182-D	P-182-E	P-182-F							
PARTS LIST NO. →											
CODE NO. ↓											
9303	1	1	1	1							
9304	1	1	1	1							
9305	1	1	1	1							
9306	1	1	1	1							
9307	1	1	1	1							
9308	1	1	1	1							
9309	1	1	1	1							
9310	1	1	1	1							
9311	1	1	1	1							
9312	1	1	1	1							
9351	1	1	2	2							
9405	1	1	2	2							
9406	1	1	2	2							
9420	1	1	2	2							
9472	1	1	2	2							
9477	1	1	2	2							
9502	1	1	2	2							
9533	1	1	2	2							
9614	1	1	2	2							
9615	1	1	2	2							

Wound Assemblies and DiagramsP-182-B

GENERAL ASSEMBLY



G1935
3-15-91B

Index of Sub Assemblies

Part Numbers

Part Numbers

Part Numbers

Part Numbers

Index of Sub Assemblies
 Sub Assembly Illustration
 Index of Sub Assemblies
 Sub Assembly Illustration
 Index of Sub Assemblies
 Sub Assembly Illustration
 Index of Sub Assemblies
 Sub Assembly Illustration
 Index of Sub Assemblies
 Sub Assembly Illustration

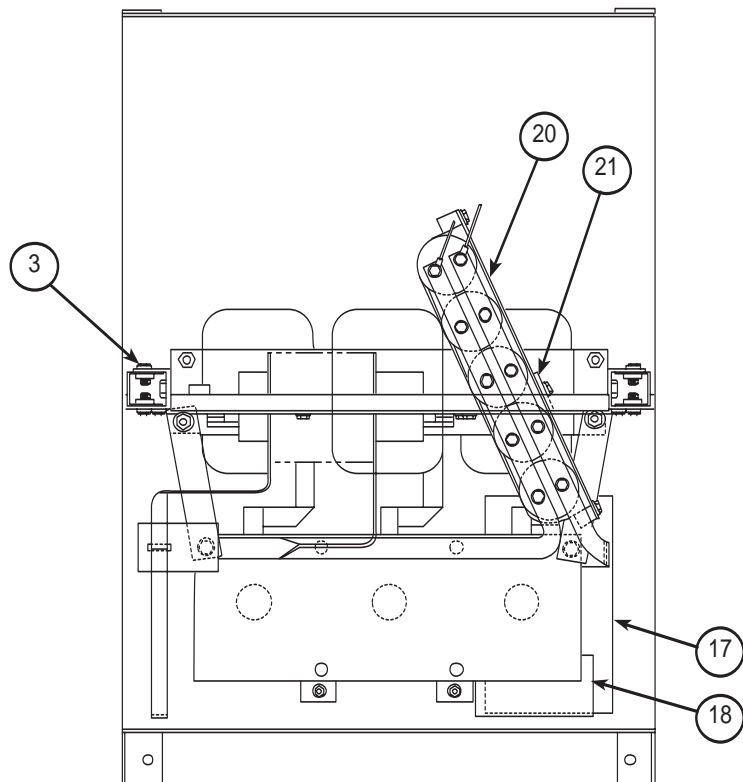
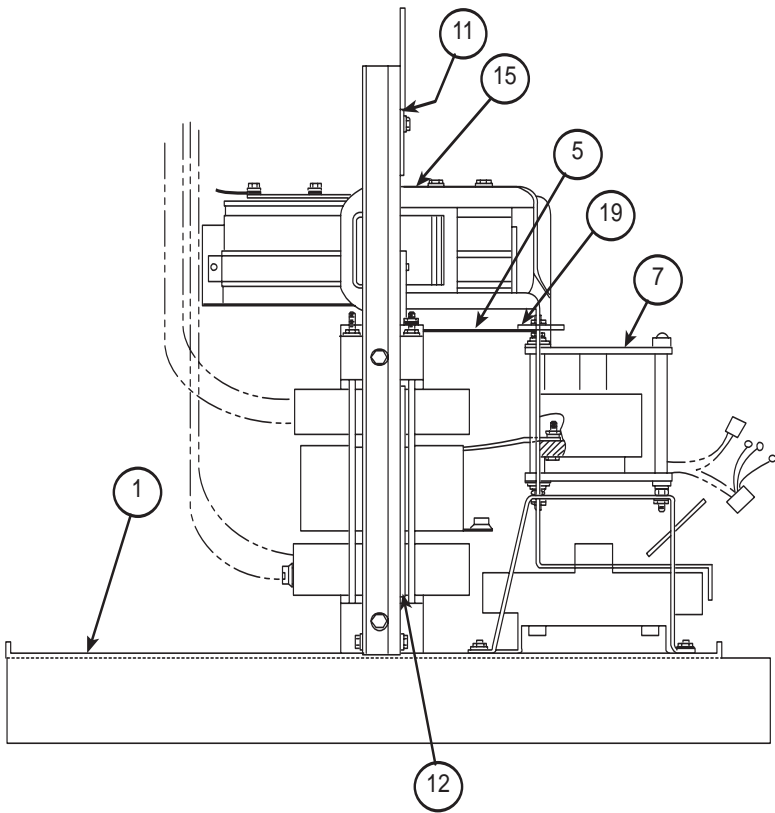
Use only the parts marked "X" in the column under the heading number called for in the model index page.

Indicates a Change This Printing

ITEM	DESCRIPTION	PART NO.	QTY.	1	2	3	4	5	6	7	8	9
1	Base, Transformer, Bridge & Capacitor Assembly	See P-182-D	1	X								
2	Case Front Assembly	See P-182-E	1	X								
3	Control Box Cover Assembly	See P-182-F	1	X								
4	Shunt	S6602-25	1	X								
5	Resistor (R2 & R3)	S10404-94	2	X								
	Round Head Screw	#10-24 x 7.50	2	x								
	Insulating Washer	T4479-A	4	X								
	Lock Washer	E106A-1	2	X								
	Plain Washer	S9262-27	2	X								
	Hex Nut	#10-24	2	X								
7	Capacitor Brace	S17356	1	X								
10	Rear Panel	S16816-4	1	X								
11	Input Box	S17978	1	X								
12	Input Access Door	M13998-1	1	X								
13A	Fan Baffle	L6247 ∅	1	X								
13B	Fan Motor	M9983-4	1	X								
13C	Fan Mounting Bracket	M15627	2	X								
14	Fan Blade	M6819-9	1	X								
15	Control Transformer	See Winding Specs	1	X								
16	Contacto	M12161-61	1	X								
17	Reconnect Panel	See Winding Specs	1	X								
18	Hex Head Screw	1/2-13 x .75	2	X								
	Plain Washer	S9262-1	2	X								
	Lock Washer	E106A-15	2	X								
19	Lead (Shunt to Pos. Terminal) (Without Diode Option Only)	M15641 ∅	1	X								
20	Lead (Pos. Output Term. to Diode Optional with Diode Option Only)	S18508-2	1	X								
30	Bushing	T12380-2	1	X								
31	Ground Decal	T13260-4	1	X								
	Items Not Illustrated:											
	Roof	M12352-19	1	X								
	Side Panel	M14065-11	2	X								
	Cover Seal	S12934	1	X								
	Warning Decal (Input Box)	T13259	1	X								
	Identification Sticker (1CR)	T14798-1	1	X								
	Caution Decal (Back of Control Box)	S13504	1	X								
	Wiring Diagram	See Winding Specs	1	X								
	Connection Diagram	See Winding Specs	1	X								
	Smoking Tag	T11590-90	1	X								
	Field Installed Options											
	Remote Control	Order K775										
	Welding Cable Plug (1/0-2/0 or 50-76 mm)	Order K852-70										
	Welding Cable Plug (2/0-3/0 or 70-95 mm)	Order K852-95										

∅ This part is obsolete and no longer available.

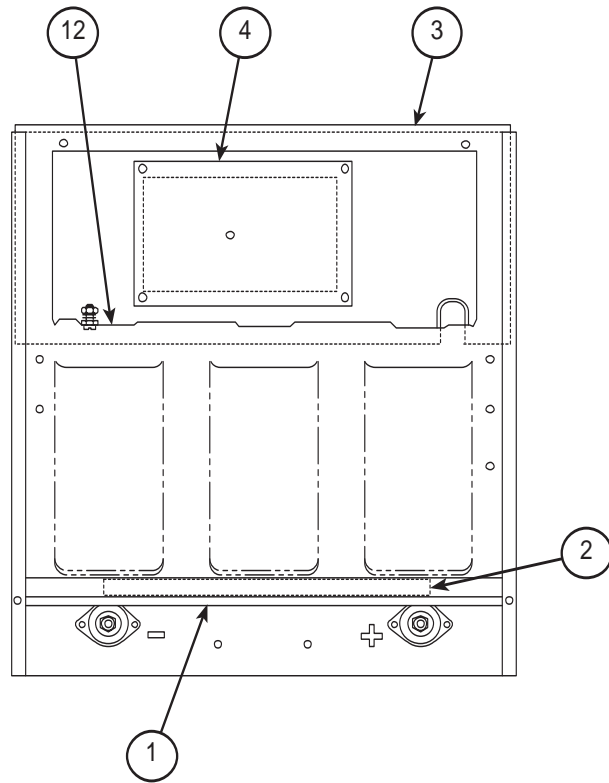
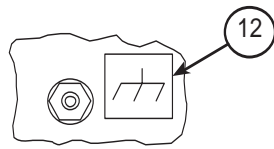
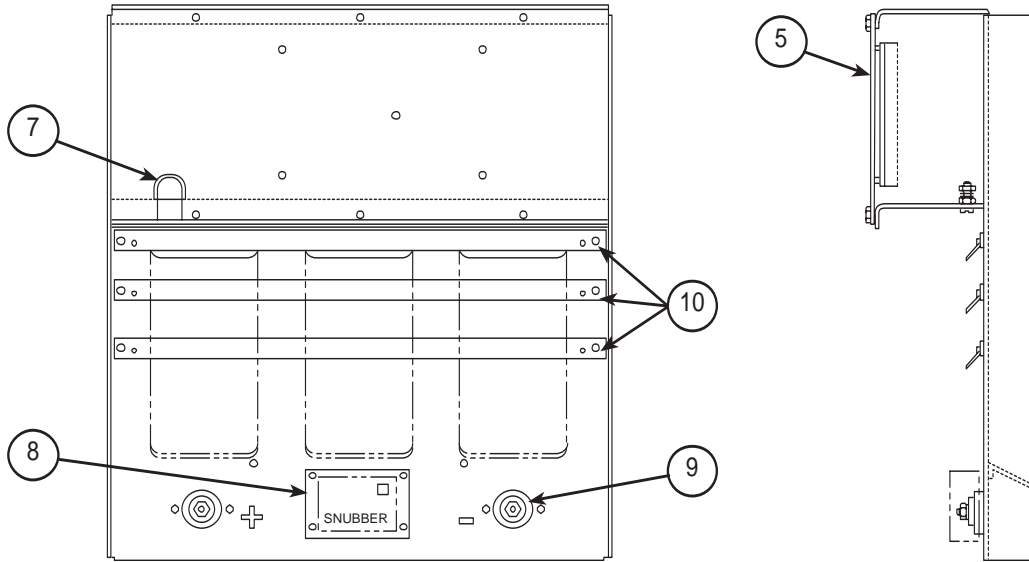
BASE LAMINATION AND BRIDGE ASSEMBLY



G1936
4-20-92

Index of Sub Assemblies
 Part Numbers
 Index of Sub Assemblies
 Part Numbers
 Index of Sub Assemblies
 Part Numbers
 Index of Sub Assemblies
 Part Numbers

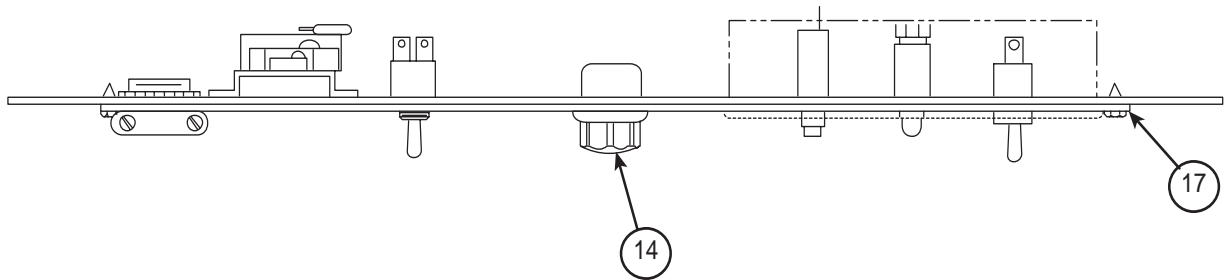
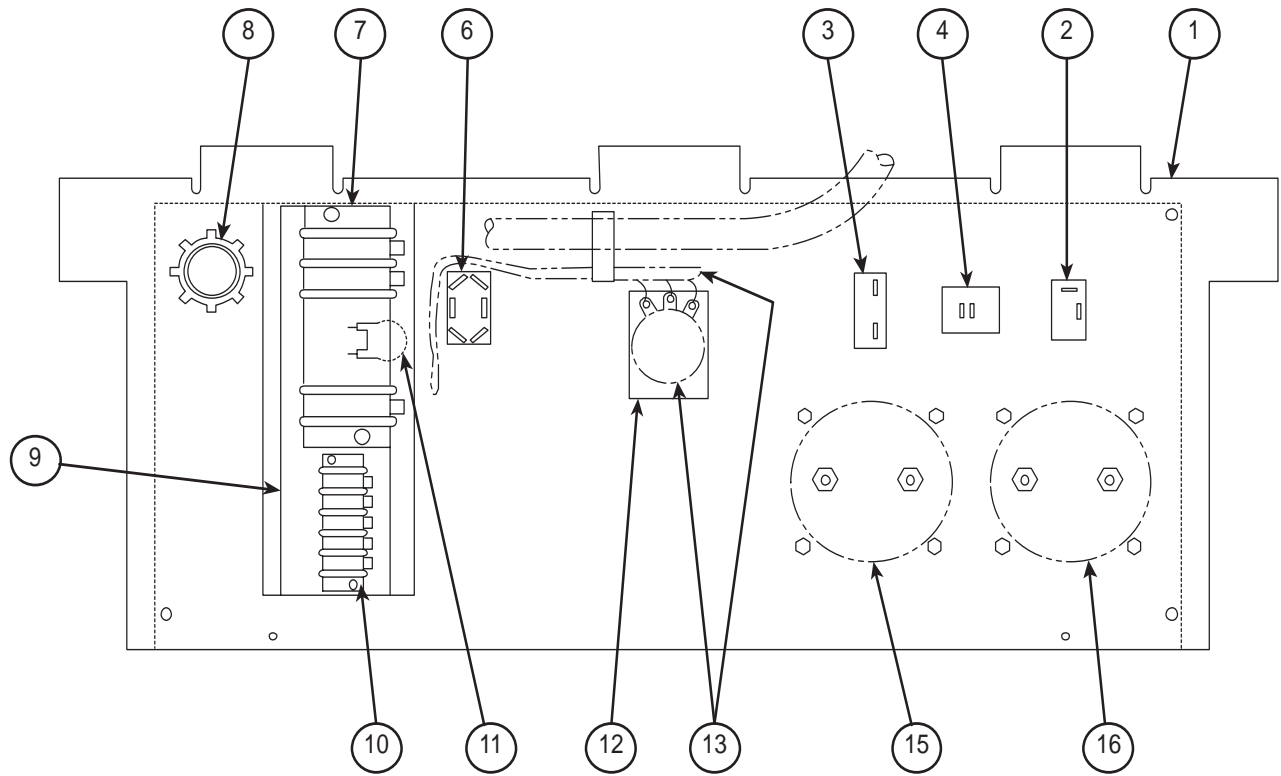
CASE FRONT ASSEMBLY



Index of Sub Assemblies
 Part Numbers
 Index of Sub Assemblies
 Part Numbers
 Index of Sub Assemblies
 Part Numbers
 Index of Sub Assemblies
 Part Numbers

L7797
8-30-91G

CONTROL BOX COVER ASSEMBLY



Index of Sub Assemblies
Part Numbers
Index of Sub Assemblies
Part Numbers
Index of Sub Assemblies
Part Numbers
Index of Sub Assemblies
Part Numbers

Use only the parts marked "X" in the column under the heading number called for in the model index page.

Indicates a Change This Printing

ITEM	DESCRIPTION	PART NO.	QTY.	1	2	3	4	5	6	7	8	9
1	Door	M15696 Ø	1	•	X							
1	Door	M15477	1	X	•							
2	Power Switch (S1)	T10800-4	1	X	X							
3	Fuse Holder (F1)	S10433-1	1	X	•							
3	Circuit Breaker	T12287-20	1	•	X							
4	Pilot Light	T13486	1	X	X							
6	Output Control Switch (S2)	T10800-24	1	X	X							
7	Terminal Strip (TS2)	S8542-7	1	X	X							
8	Box Connector	T9639-1	1	X	X							
9	Number Plate	S18378 Ø	1	X	•							
9	Number Plate	S18832	1	•	X							
10	Terminal Strip (TS1)	S14530-12	1	X	•							
10	Terminal Strip (TS1)	S14530-11	1	•	X							
11	Capacitor Assembly (C6)	T14824	1	X	X							
12	Insulation	T12792-1	1	X	X							
13	Potentiometer	T10812-40	1	X	X							
14	Knob	T10491	1	X	X							
15	D.C. Ammeter (Optional)	M15539-2	1	X	X							
16	D.C. Voltmeter (Optional)	M15538-1	1	X	X							
17	Nameplate w/o Meters CV400	L7570	1	X	•							
17	Nameplate w/Meters CV400	L7570-1	1	X	•							
17	Nameplate w/o Meters CV400	L7794	1	•	X							
17	Nameplate w/Meters CV400	L7794-1	1	•	X							
17	Nameplate w/o Meters CV1500	L7755	1	•	X							
17	Nameplate w/Meters CV1500	L7755-1 Ø	1	•	X							
	Fastener Buttons	T14659-1	3	X	X							
22	Fuse (F1)	T10728-16	1	X	•							

Ø This part is obsolete and no longer available.

Index of Sub Assemblies
 Sub Assembly Illustration
 Index of Sub Assemblies
 Sub Assembly Illustration
 Index of Sub Assemblies
 Sub Assembly Illustration
 Index of Sub Assemblies
 Sub Assembly Illustration

NOTES
